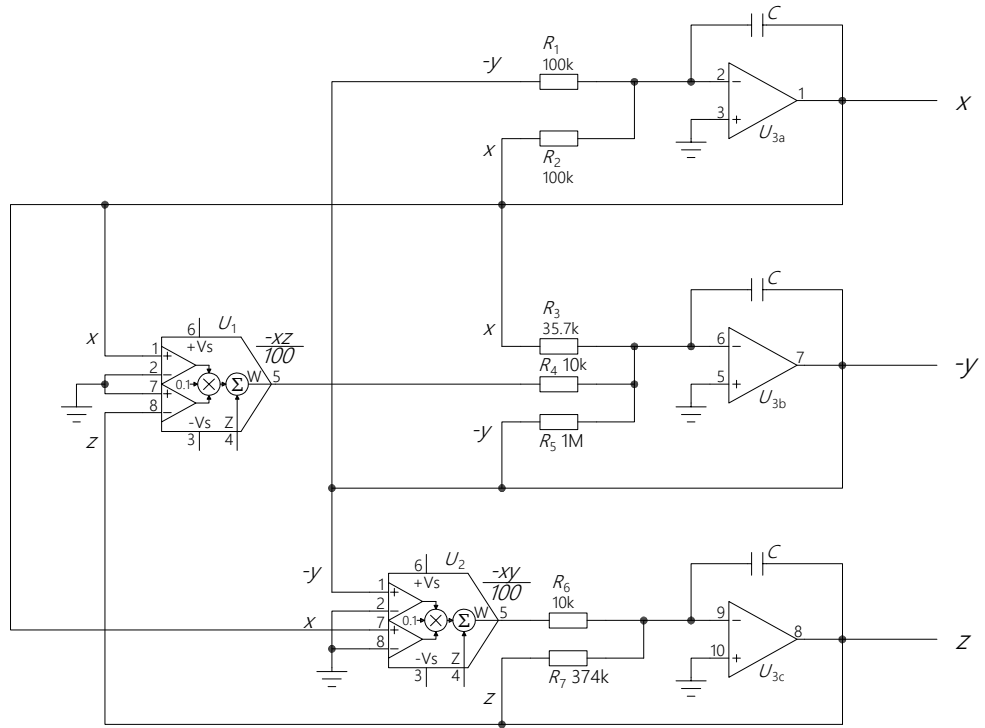


Offset adjust



$U_1, U_2 = \text{AD633JR SO-8}$

CAUTION: DIP and SO packages have different pinouts

$U_3 = \text{LM324N}$

$R_1 - R_7 = \text{Hand selected for accuracy}$

$C = 0.1\mu\text{F}$

$C_d = 0.1\mu\text{F}$

Poor man's Lorenz Attractor
Grease monkey 2020